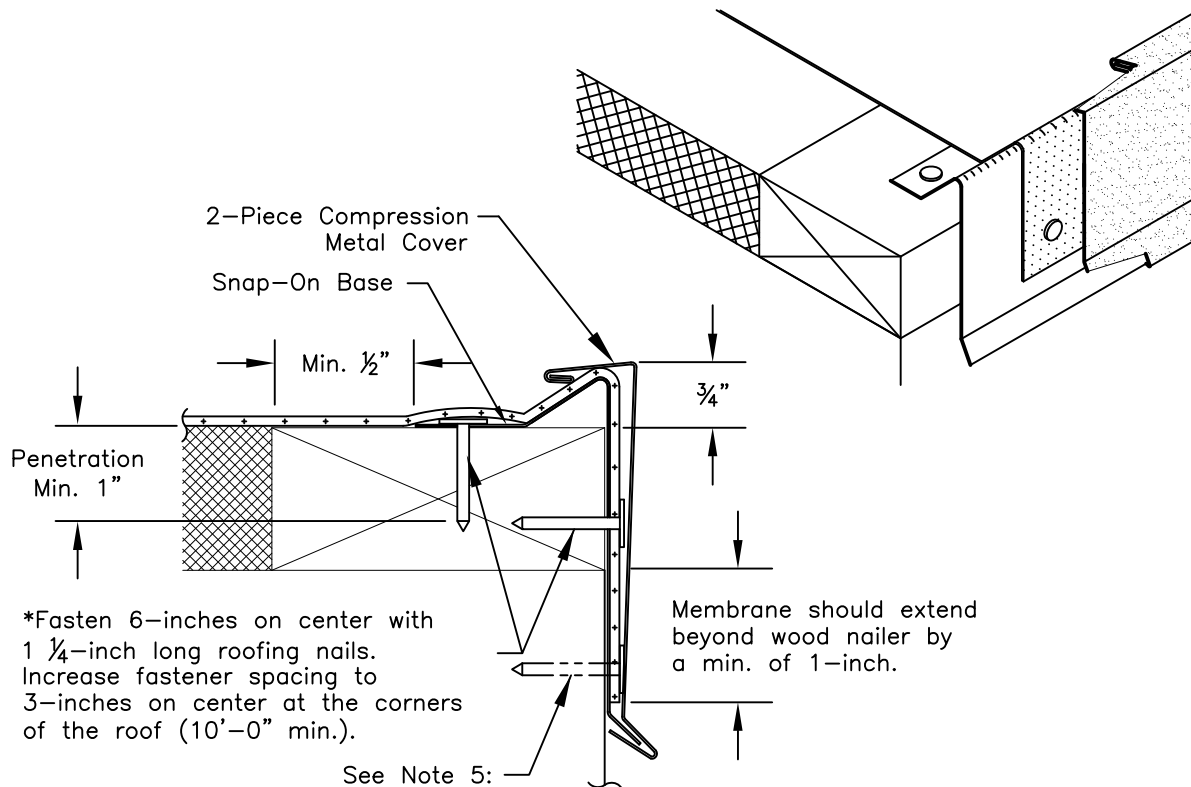




1-800-248-0280
831 Morley Drive
Saginaw, MI 48601

DETAIL E3110



Note 1: The use of this detail is not to exceed a 2-inch per 12-inch slope.

Note 2: A wood nailer is required if one or more inches of insulation is used. Top of wood nailer is to be flush with top of insulation. Be sure that the wood nailer extends at least $\frac{1}{2}$ -inch beyond the horizontal edge of the snap-on base.

Note 3: The fasteners used to attach the base to wood nailers, and the membrane to the face of the nailers, must be spaced no greater than 6-inches on center. The fastener spacing must be increased to 3-inches on center when attaching the base within 10-feet (min.) of the outside corners of the building.

Note 4: Allow for $\frac{1}{8}$ -inch expansion gap between 10-foot lengths of snap-on base. Overlap the snap-on covers by 2-inches between 10-foot lengths.

Note 5: When installing this detail with a 6-inch or greater vertical surface, additional mechanical attachment is required on the snap-on base.

DATE: JANUARY 2013

EDGE DETAIL

DRAWN BY: ENG. DEPT.

2-PIECE COMPRESSION EDGE

SCALE: NONE

NEW CONSTRUCTION OR RE-ROOF