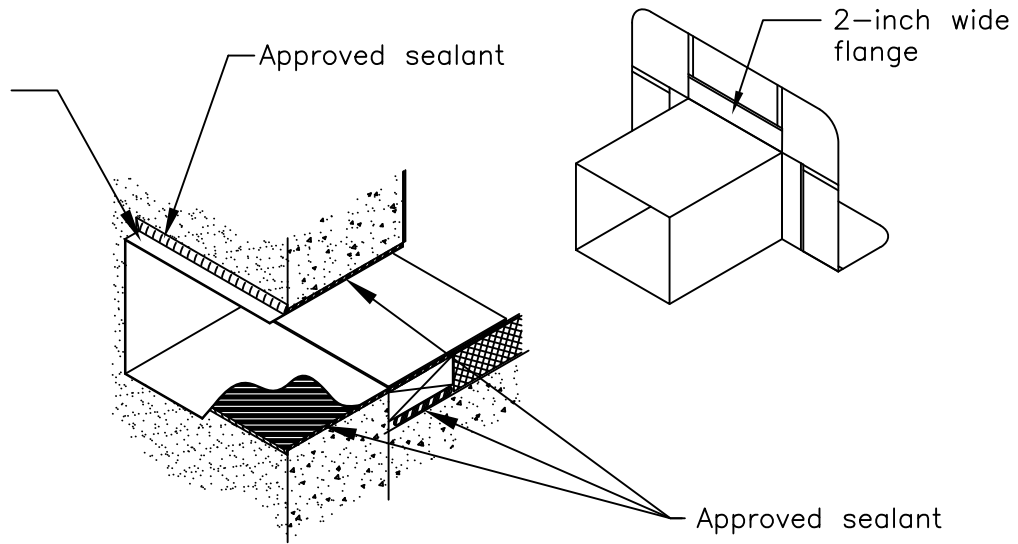




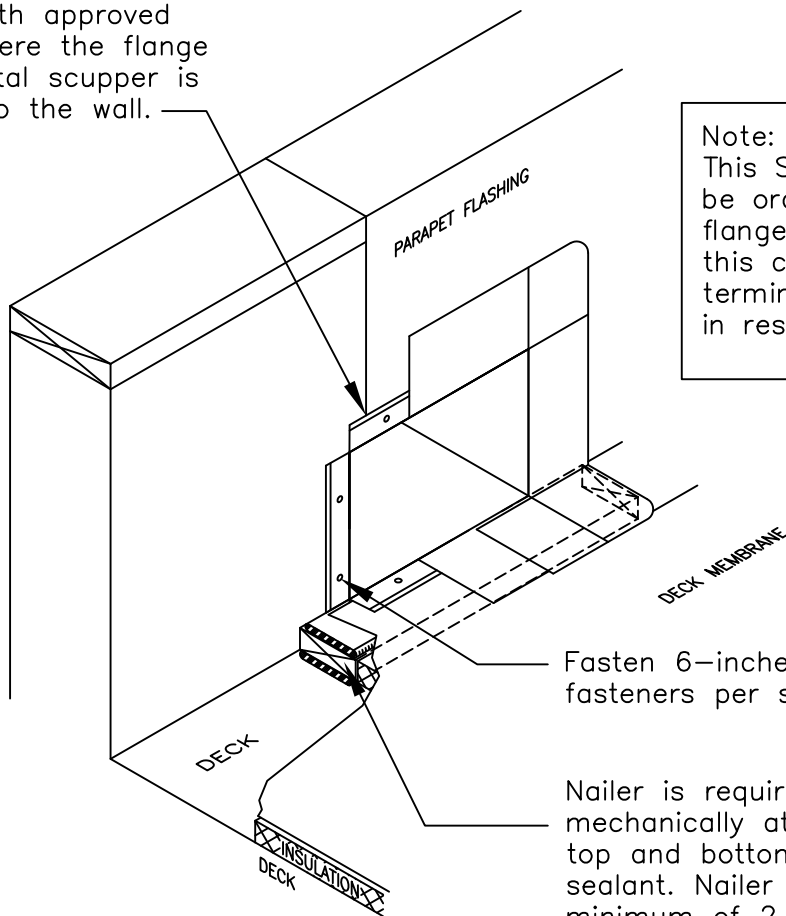
1-800-248-0280
 831 Morley Drive
 Saginaw, MI 48601

DETAIL E2061

Note 1:
 Single Skirt
 Scupper must
 extend 1-inch
 beyond the wall
 opening.



Back seal the parapet
 flashing with approved
 sealant where the flange
 of the metal scupper is
 attached to the wall.



Note:
 This Single Skirt Scupper can
 be ordered without a metal
 flange on the inside wall. In
 this case, the skirt must be
 terminated on the inside wall
 in respect to Detail 2060.

Fasten 6-inches on center, 2
 fasteners per side minimum.

Nailer is required and must be
 mechanically attached and sealed at
 top and bottom using approved
 sealant. Nailer must extend a
 minimum of 2-inches beyond the
 opening of the scupper.

DATE: JANUARY 2013

DRAWN BY: ENG. DEPT.

SCALE: NONE

DRAINAGE DETAILS

SINGLE SKIRT METAL SCUPPER

NEW CONSTRUCTION OR RE-ROOF