



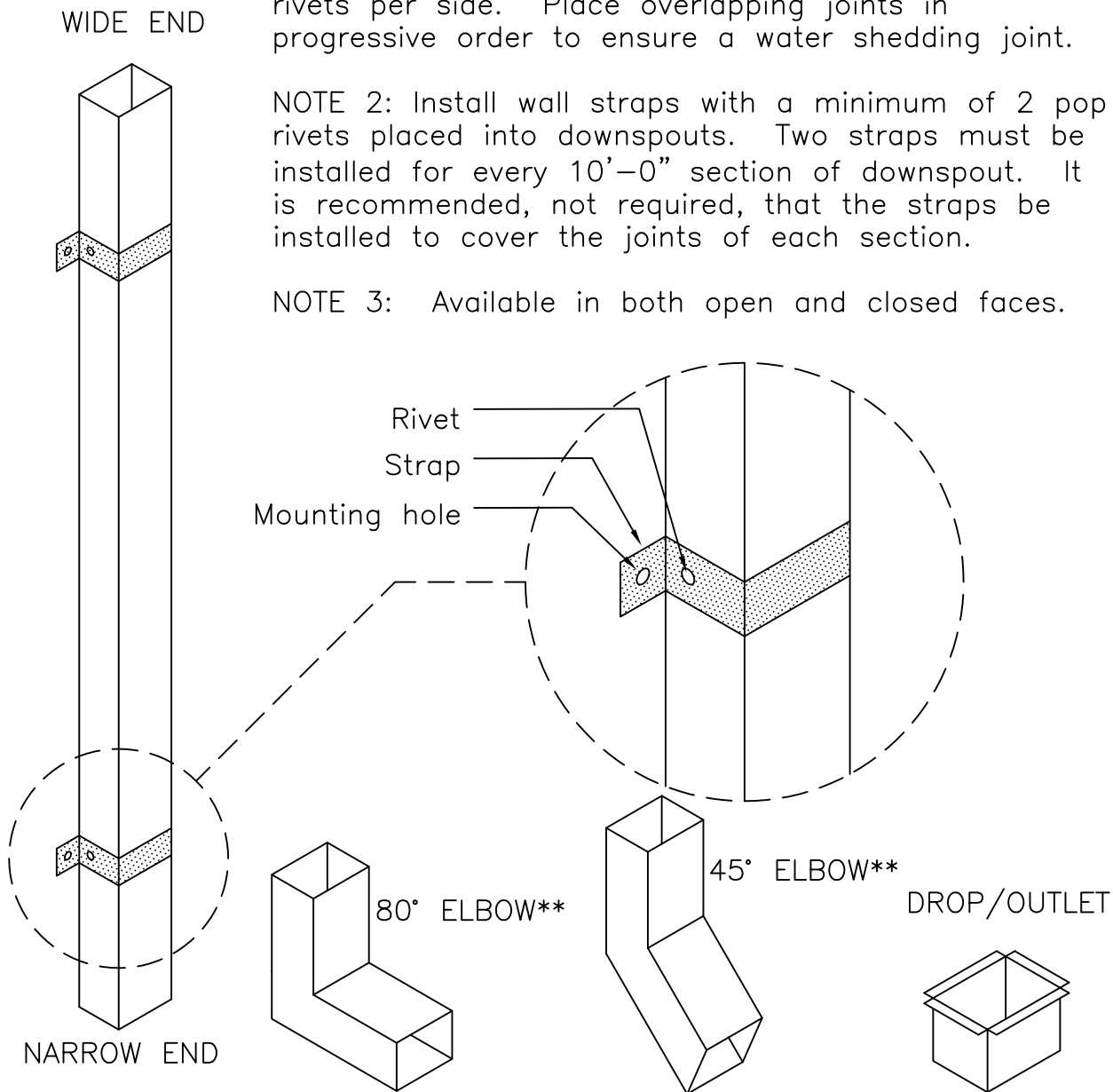
1-800-248-0280
 831 Morley Drive
 Saginaw, MI 48601

DETAIL E2080

NOTE 1: Install all elbows with a minimum of 2 pop rivets per side. Place overlapping joints in progressive order to ensure a water shedding joint.

NOTE 2: Install wall straps with a minimum of 2 pop rivets placed into downspouts. Two straps must be installed for every 10'-0" section of downspout. It is recommended, not required, that the straps be installed to cover the joints of each section.

NOTE 3: Available in both open and closed faces.



** "A" & "B" Style elbows are available. "A" style elbows direct water away from the building. "B" style elbows direct water alongside the building.

DATE: JANUARY 2013	DRAINAGE DETAILS
DRAWN BY: ENG. DEPT.	METAL DOWNSPOUTS
SCALE: NONE	NEW CONSTRUCTION OR RE-ROOF