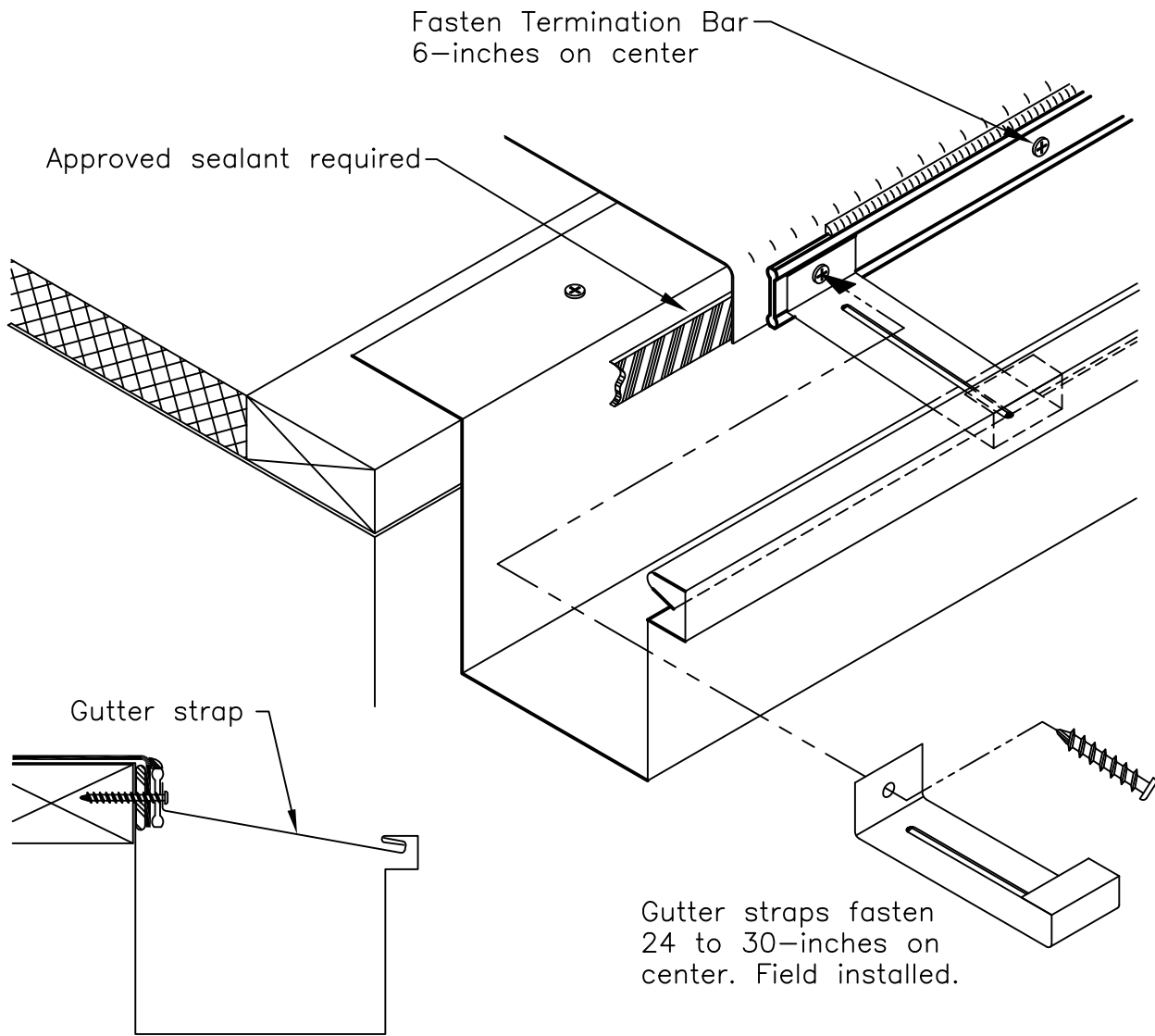




1-800-248-0280
831 Morley Drive
Saginaw, MI 48601

DETAIL E3025



Note 1: A $\frac{1}{4}$ -inch gap is required between sections of Termination Bar.

Note 2: A wood nailer is required if 1-inch of insulation or greater is used. Top of wood nailer to be flush with top of insulation. Fasteners used to attach wood nailers shall be spaced no greater than 18-inches on center.

DATE: JANUARY 2013

EDGE DETAIL

DRAWN BY: ENG. DEPT.

X-SERIES T-BAR INTO GUTTER

SCALE: NONE

NEW CONSTRUCTION OR RE-ROOF