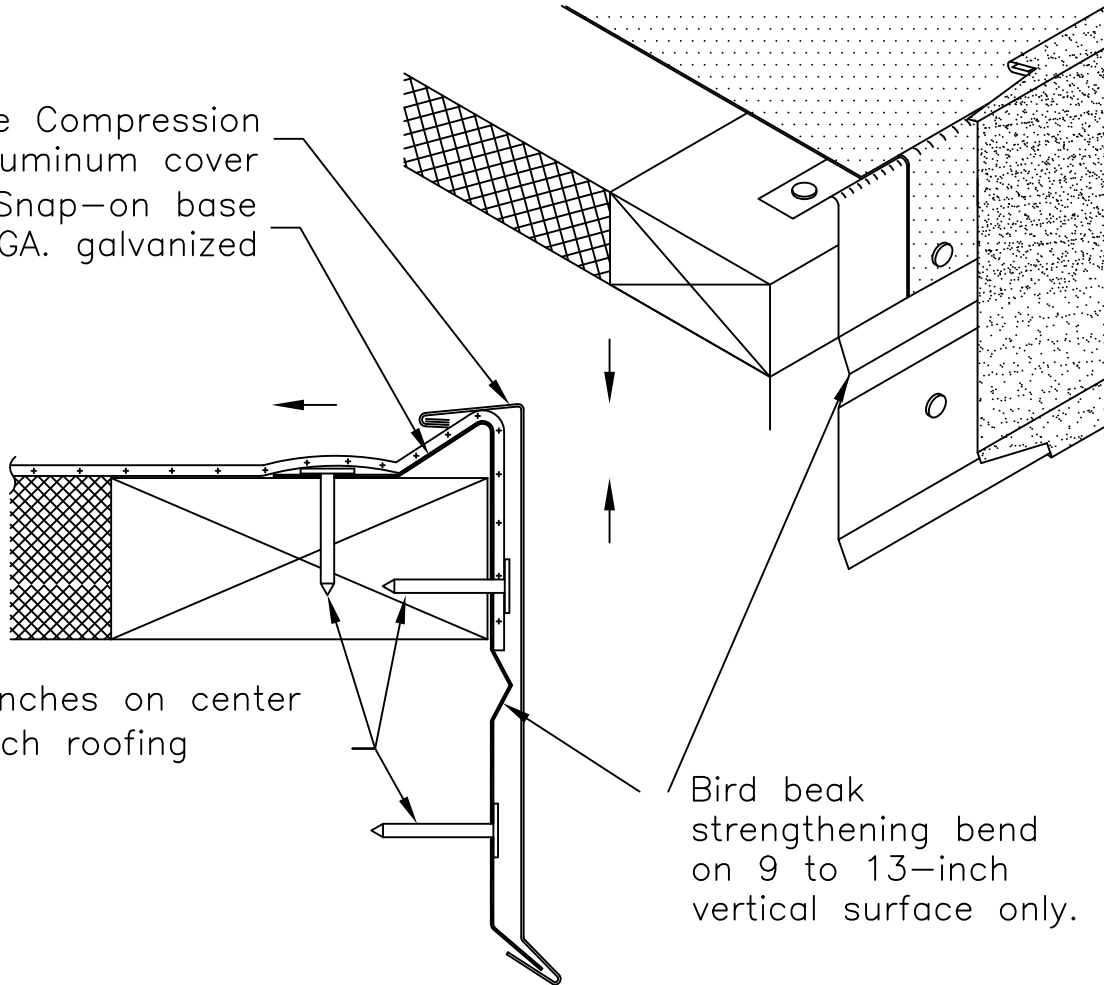




1-800-248-0280  
831 Morley Drive  
Saginaw, MI 48601

DETAIL E3115

2-Piece Compression  
LG. aluminum cover  
Snap-on base  
22-GA. galvanized



\*Fasten 6-inches on center  
with 1 ¼-inch roofing  
nails.

Bird beak  
strengthening bend  
on 9 to 13-inch  
vertical surface only.

- Note 1: A wood nailer is required if one or more inches of insulation is used. Top of wood nailer is to be flush with top of insulation. Be sure that the wood nailer extends at least ½-inch beyond the horizontal edge of the snap-on base.
- Note 2: The fasteners used to attach the base to wood nailers, and the membrane to the face of the nailers, must be spaced no greater than 6-inches on center.
- Note 3: Allow for ⅛-inch expansion gap between 10-foot lengths of snap-on base. Overlap the snap-on covers by 2-inches between 10-foot lengths.

DATE: JANUARY 2013

EDGE DETAILS

DRAWN BY: ENG. DEPT.

2-PIECE COMPRESSION LG.

SCALE: NONE

NEW CONSTRUCTION OR RE-ROOF