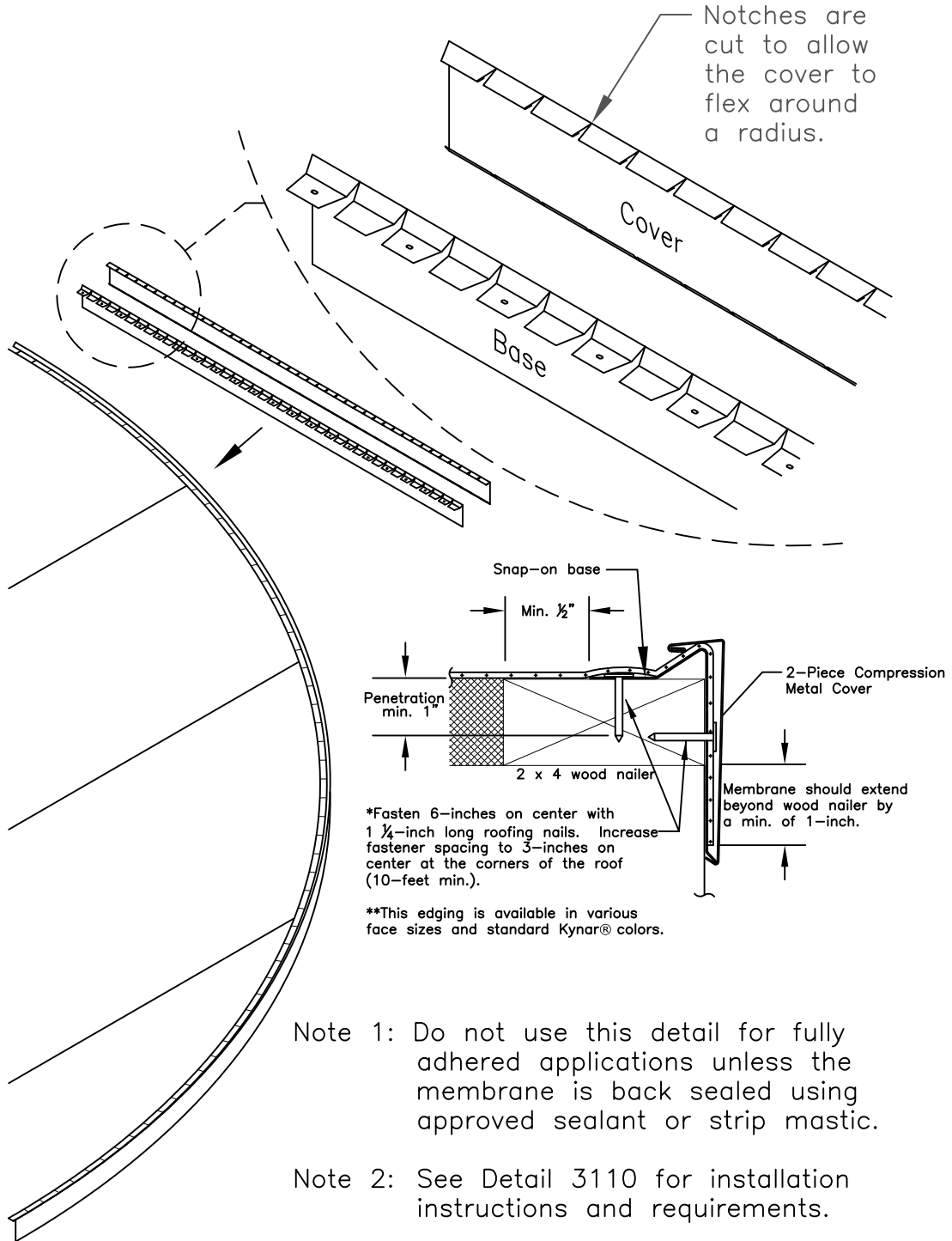




1-800-248-0280
 831 Morley Drive
 Saginaw, MI 48601

DETAIL E3513



Note 1: Do not use this detail for fully adhered applications unless the membrane is back sealed using approved sealant or strip mastic.

Note 2: See Detail 3110 for installation instructions and requirements.

Note 3: This edging can be installed on both inside and outside radius edges.

DATE: JANUARY 2013

METAL EDGE DETAIL

DRAWN BY: ENG. DEPT.

2-PIECE FLEX COMPRESSION EDGE

SCALE: NONE

NEW CONSTRUCTION OR RE-ROOF