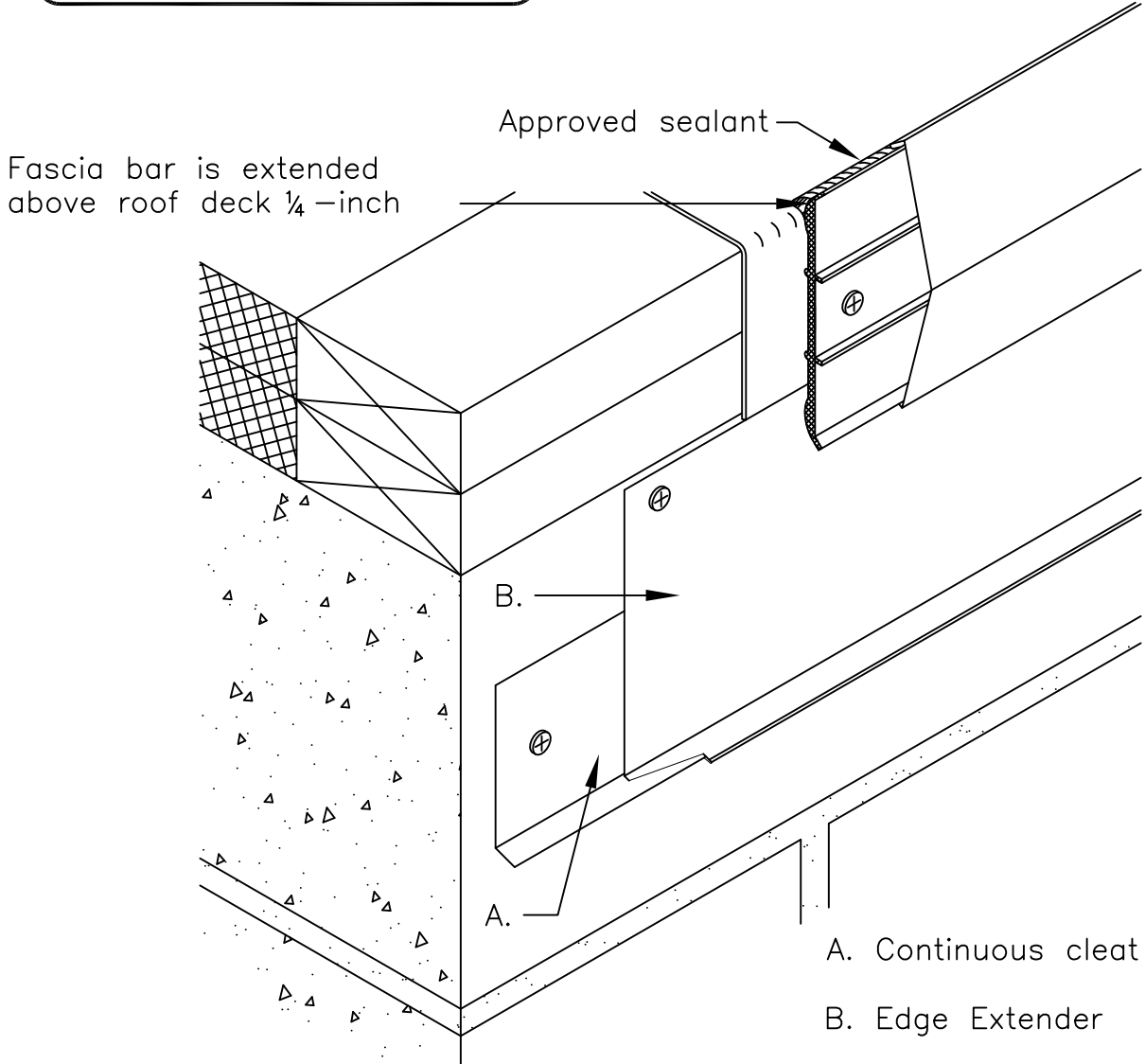




1-800-248-0280
831 Morley Drive
Saginaw, MI 48601

DETAIL E3540



Note 1: Do not use this detail for fully adhered applications unless the membrane is back sealed using caulk or strip mastic.

Note 2: If the Edge Extender is 4-inches or larger, a continuous cleat is required.

Note 3: The continuous cleat and Edge Extender must be fastened 6-inches on center (maximum).

Note 4: All joints and splices must be staggered a minimum of 12-inches.

DATE: JANUARY 2013

METAL EDGE DETAIL

DRAWN BY: ENG. DEPT.

METAL EDGE EXTENDER

SCALE: NONE

NEW CONSTRUCTION OR RE-ROOF