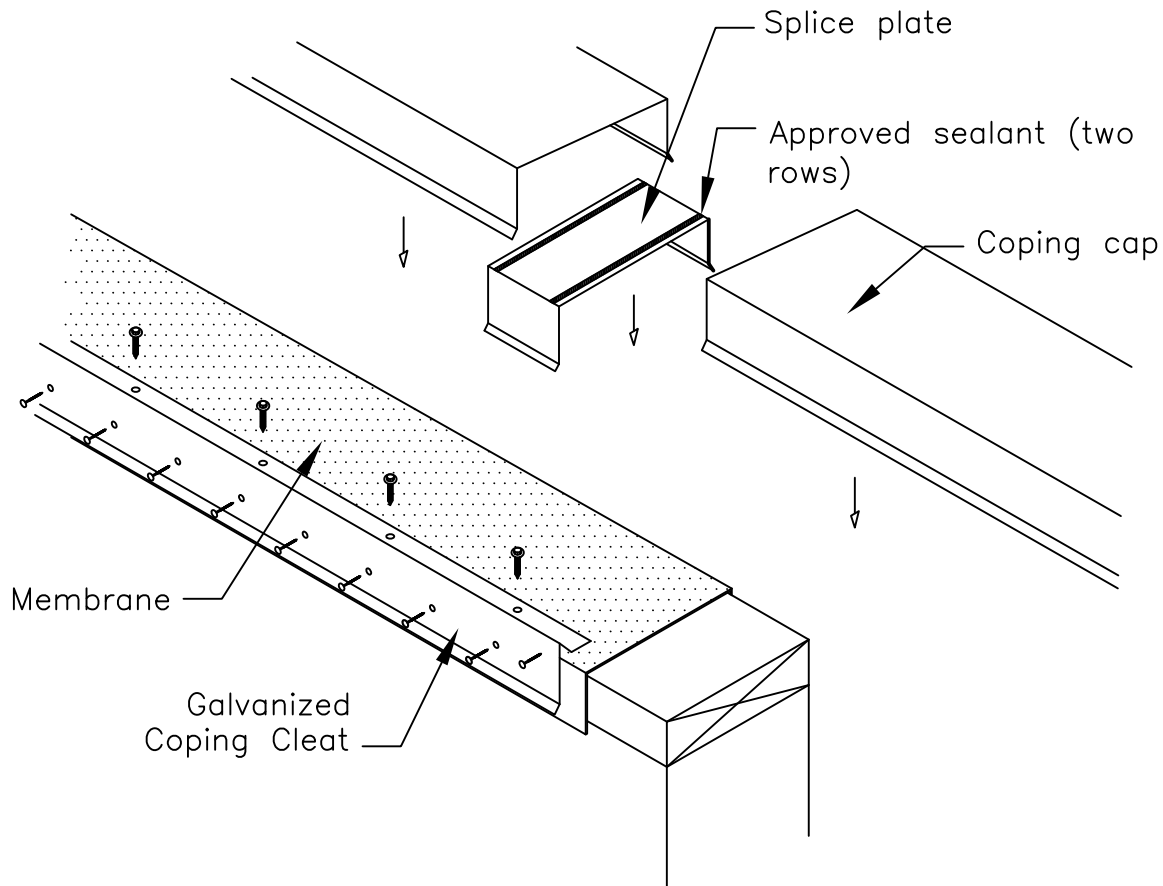




1-800-248-0280
831 Morley Drive
Saginaw, MI 48601

6052 INSTALLATION



Note 1: Install the Coping Cleat using 1 ½-inch hex-head screws with neoprene washer 12-inches on center. Face nail the Cleat using 1 ½-inch fasteners 12-inches on center.

Note 2: Install the splice plate by locating it onto the center of the Coping joint. Apply a bead of sealant on both sides of the top surface of the splice plate. Do not fasten.

Note 3: Install coping cap over top of the splice plate. Be sure to leave a ¼-inch gap between sections of Coping to allow for expansion and contraction.

Note 4: All joining surfaces such as joints, splices, corners, and end caps must have an approved sealant applied to them.

DATE: JANUARY 2013

PARAPET WALL DETAIL

DRAWN BY: ENG. DEPT.

CANTED COPING W/CONT. BASE CLEAT

SCALE: NONE

NEW CONSTRUCTION OR RE-ROOF