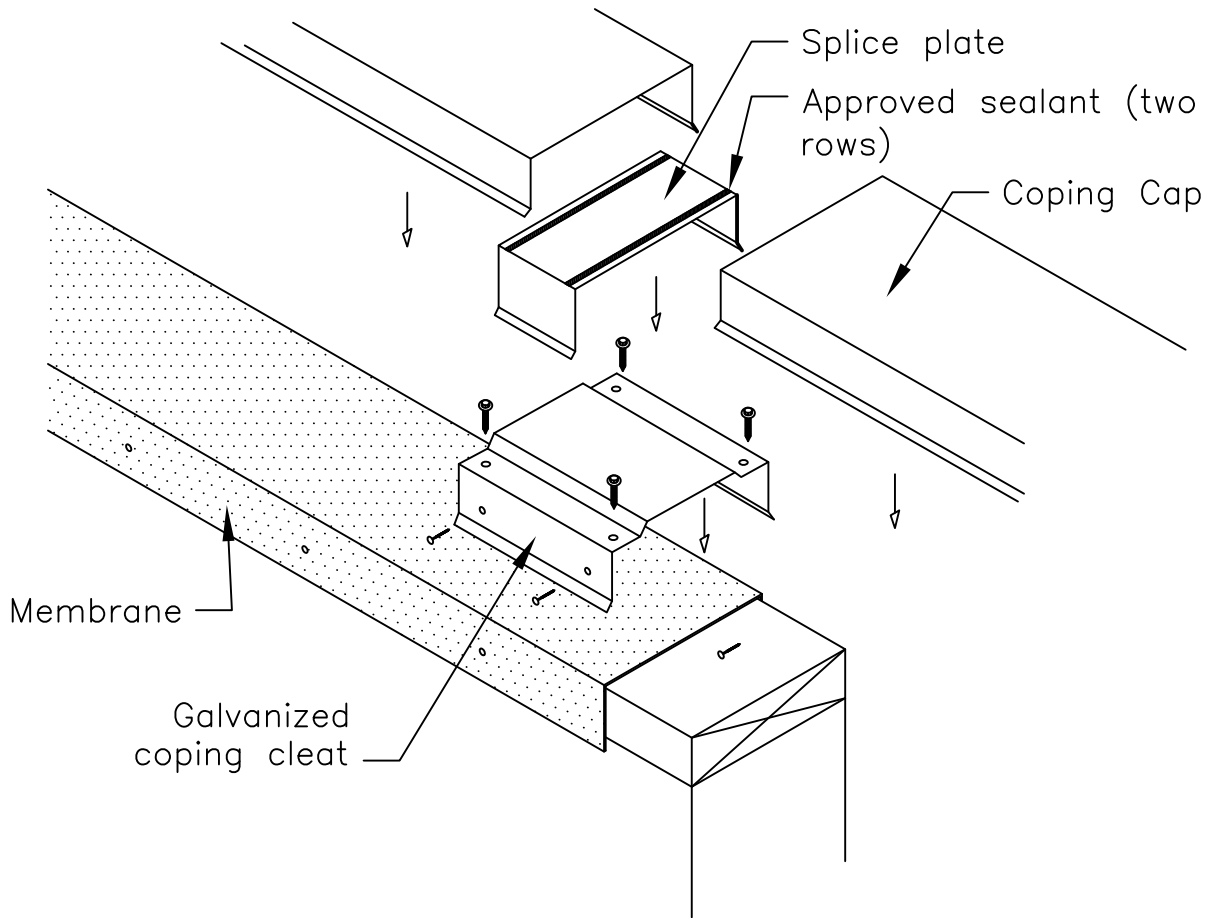




1-800-248-0280
831 Morley Drive
Saginaw, MI 48601

6054 INSTALLATION 1



Note 1: Install the coping cleat using four hex-head screws with neoprene washers. Face nail the cleat using two roofing nails.

Note 2: Install the splice plate by locating it onto the center of the coping cleat. Apply a bead of an approved sealant on both sides of the top surface of the splice plate. Do not fasten.

Note 3: Install Coping Cap over top of the splice plate. Be sure to leave a $\frac{1}{4}$ -inch gap between sections of Coping to allow for expansion and contraction.

Note 4: All joining surfaces such as joints, splices, corners, and end caps must have an approved sealant applied to them.

DATE: JANUARY 2013

PARAPET WALL DETAIL

DRAWN BY: ENG. DEPT.

SNAP COPING CAP

SCALE: NONE

NEW CONSTRUCTION OR RE-ROOF