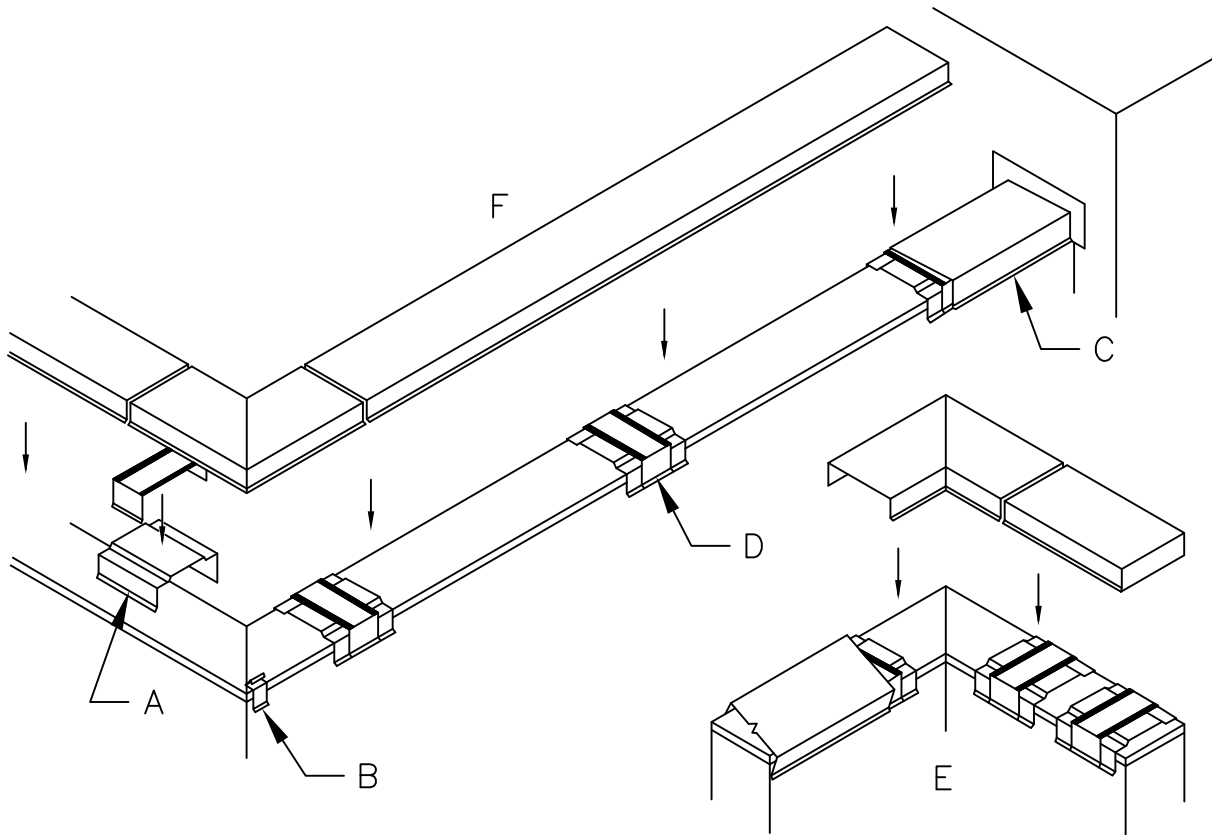




1-800-248-0280
831 Morley Drive
Saginaw, MI 48601

6054 INSTALLATION 2



A. Snap cleats at corner – Place snap cleats 12–inches from the corner of the building. Pull each cleat snugly against the face of the building. Install four hex–head screws with neoprene washers.

B. Corner support clips – Place corner support clips at all outside corners to support the Cap. Set the clip away from the corner about $\frac{1}{2}$ –inch.

C. Snap cleats at wall ends – Install the first snap cleat approximately 2–inches from the wall end.

D. Snap cleats along the parapet – Install snap cleats along the length of the parapet on 60–inch centers. At the middle of the run, adjust the location to fit a short Coping length. Maximum cleat spacing is 60–inches on center.

E. Installing Coping corner – Place the concealed joint splice over the anchor cleat at each cleat location. Hook the face of the corner over the outside face leg of the cleat, rotate the Cap over the top of the cleats, and snap the roof side leg by pressing down on the Coping back leg.

F. Installing Snap Coping straight lengths – Begin installing from the ends, working inward to the center, and leaving a $\frac{1}{4}$ –inch gap between the Coping sections for thermal expansion. There should be a cleat at each joint and at least one cleat in the middle of each 10–foot section. Cut the middle piece of Coping to complete the section. Every fifth 10–foot section of Coping should be secured to a cleat to isolate movement within a containment zone.

DATE: JANUARY 2013

PARAPET WALL DETAIL

DRAWN BY: ENG. DEPT.

SNAP COPING CAP

SCALE: NONE

NEW CONSTRUCTION OR RE–ROOF