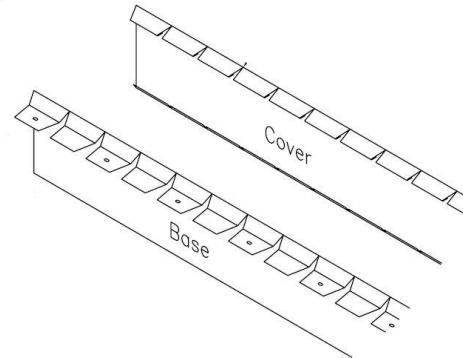
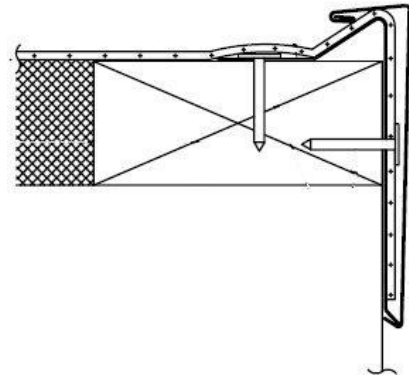


### Description:

The 2-Piece Flex Snap-On Compression system is made with a flat face to help it conform to a radius edge. The system consists of a 24-gauge Galvalume® base and a snap-on cover notched in 3" intervals to easily snap over radial surfaces.

- This edge is fabricated in 10' lengths; 3" – 8" widths.
- Cover is double-hemmed to prevent roof material from chafing.
- Can be installed on both inside and outside radius edges.
- Standard 2-Piece Snap-On Compression can be ordered with a flat face to match this detail.
- This edge trim does not conform to an arched or vaulted radius.



### Energy Efficiency:

LEED® and ENERGY STAR® compliant; Recyclable.

### Installation:

1. A wood nailer is required if 1" or greater of insulation is used.
2. This nailer should be attached to the wall in accordance with ANSI/SPRI ES-1 3.9.
3. Install in accordance with EXCEPTIONAL® Metals Details #3110 and #3513.
4. Any deviation from the requirements set forth in detail drawings must be pre-approved, in writing, by the EXCEPTIONAL Metals Technical Department.

### Warranty:

EXCEPTIONAL Metals offers a finish and substrate warranty. Contact the membrane manufacturer for any additional warranty that may be offered.

### Technical Services:

Product samples, detail sheets, color chips, and color chart are available for your submittal package. For assistance with questions or submittals, contact your local representative or call EXCEPTIONAL Metals.

Material	Gauge	Finish
Aluminum	.040	Mill or Kynar®
Stainless Steel	24-gauge	N/A
Bonderized Steel	24-gauge	N/A
Galvalume®	24-gauge	Mill or Kynar®
Copper	16 oz.	Mill