

### Description:

The Arched Vinyl-Coated Drip Edge provides a smooth finish that is an aesthetically-pleasing alternative to traditional piecing. Vinyl-coated roof flange enables welding a separate skirt to both the flange and the installed roof membrane to provide a watertight seal.

- Made in 5' to 10' lengths depending on building's arch specifications.
- Edges are pre-notched for overlapped joints.
- Profiles can be custom-fabricated to meet most specifications.
- Hemmed drip kick to receive splice cleats.

### Energy Efficiency:

LEED® and ENERGY STAR® compliant; Recyclable.

### Installation:

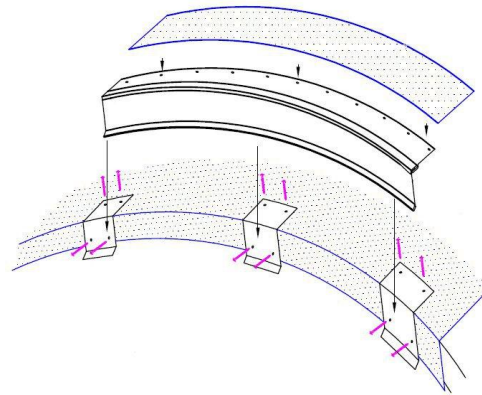
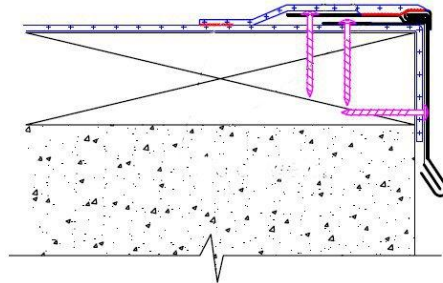
1. A wood nailer is required if 1" or greater of insulation is used.
2. This nailer should be attached to the wall in accordance with ANSI/SPRI ES-1 3.9.
3. Install in accordance with EXCEPTIONAL® Metals Details #6010 and #6040.
4. Any deviation from the requirements set forth in detail drawings must be pre-approved, in writing, by the EXCEPTIONAL Metals Technical Department.

### Warranty:

EXCEPTIONAL Metals offers a finish and substrate warranty. Contact the membrane manufacturer for any additional warranty that may be offered.

### Technical Services:

Product samples, detail sheets, color chips, and color chart are available for your submittal package. For assistance with questions or submittals, contact your local representative or call EXCEPTIONAL Metals.



Material	Gauge	Finish
Aluminum	.032	Mill or Kynar®
Stainless Steel	24-gauge	N/A
Bonderized Steel	24-gauge	N/A
Galvalume®	24-gauge	Mill or Kynar®