

**Description:**

The Conductor Head is designed to attach to the wall below the scupper, leaving the scupper visible from the ground. It complements the roof design and directs rain water into downspouts.

- Standard designed conductors have the same appearance as the vinyl-back collector.
- Commonly ordered with a metal flange scupper, producing an attractive combination.



**Installation:**

1. Install in accordance with EXCEPTIONAL® Metals Detail #2071.
2. Any deviation from the requirements set forth in detail drawings must be pre-approved, in writing, by the EXCEPTIONAL Metals Technical Department.



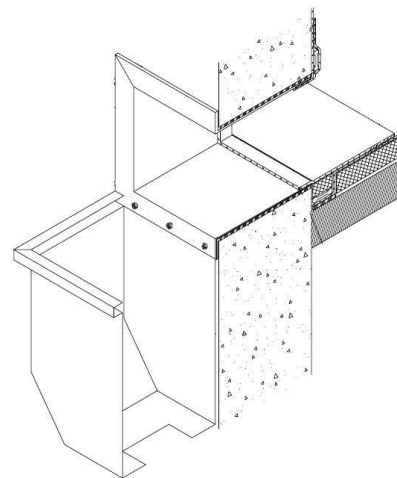
*Shown with metal flange scupper*

**Warranty:**

EXCEPTIONAL Metals offers a finish and substrate warranty. Contact the membrane manufacturer for any additional warranty that may be offered.

**Technical Services:**

Product samples, detail sheets, color chips, and color chart are available for your submittal package. For assistance with questions or submittals, contact your local representative or call EXCEPTIONAL Metals.



| Material         | Gauge       | Finish         |
|------------------|-------------|----------------|
| Aluminum         | .040 / .050 | Mill or Kynar® |
| Stainless Steel  | 24-gauge    | N/A            |
| Bonderized Steel | 24-gauge    | N/A            |
| Galvalume®       | 24-gauge    | Mill or Kynar® |
| Copper           | 16 oz.      | Mill           |