

### Description:

Flat Coping offers a complete and attractive finish to any parapet wall. The system rests flat on top of the parapet. A continuous cleat secures the front, and the back is secured by a screw.

- Fabricated 10 foot lengths; widths are customized to specification.
- 6" concealed splice plate provides coverage for expansion and contraction.
- Continuous cleat is fabricated from 22 or 24 gauge galvanized or .050 aluminum.
- Riveted inside and outside miters and end caps are available.

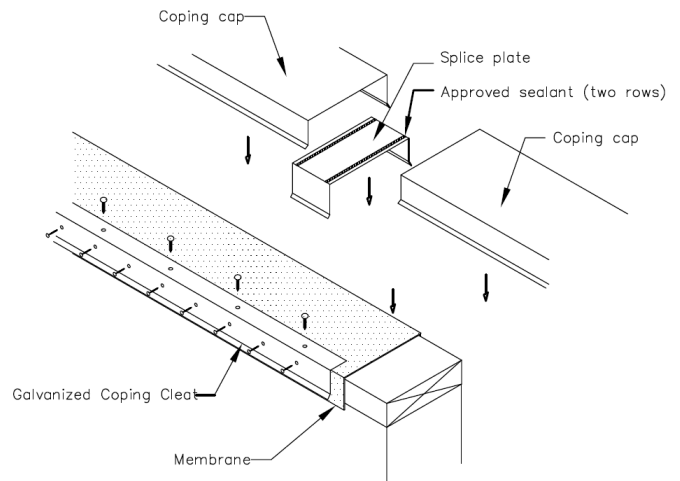
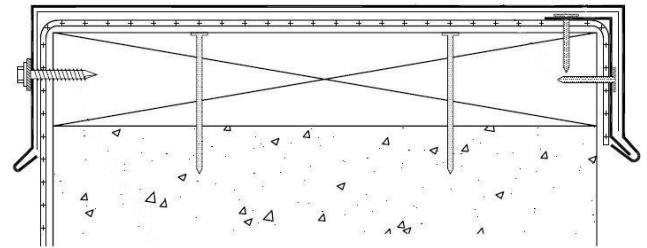


### Energy Efficiency:

LEED® and ENERGY STAR® compliant; Recyclable.

### Installation:

1. A wood nailer attached to the top of the parapet wall is required.
2. This nailer should be attached to the wall in accordance with ANSI/SPRI ES-1 3.9.
3. Install in accordance with EXCEPTIONAL® Metals Detail #6050 and Installation #6050.
4. Any deviation from the requirements set forth in detail drawings must be pre-approved, in writing, by the EXCEPTIONAL Metals Technical Department.



### Warranty:

EXCEPTIONAL Metals offers a finish and substrate warranty. Contact the membrane manufacturer for any additional warranty that may be offered.

### Technical Services:

Product samples, detail sheets, color chips, and color chart are available for your submittal package. For assistance with questions or submittals, contact your local representative or call EXCEPTIONAL Metals.

Material	Gauge	Finish
Aluminum	.040 / .050	Mill or Kynar®
Stainless Steel	24-gauge	N/A
Bonderized Steel	24-gauge	N/A
Galvalume®	24-gauge	Mill or Kynar®
Copper	16 oz.	Mill