

**Description:**

Gutters feature four box-style profiles in three sizes each. Support straps are provided based on 30" centers.

- Front edge of gutter is 2" lower than the back edge.
- Internal splice plates eliminate the need to completely rivet sections together.
- Riveted inside and outside miters can be fabricated to any angle.
- Roof flanges can be bent to accommodate various roof pitches or eliminated altogether.
- Custom sizes and profiles are available.



DX-Style

EX-Style



LX-Style

MX-Style

**Energy Efficiency:**

LEED® and ENERGY STAR® compliant; Recyclable.

**Installation:**

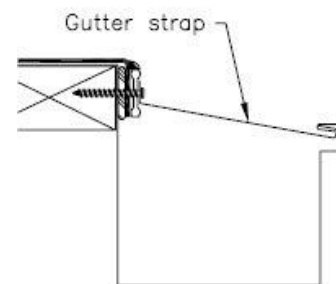
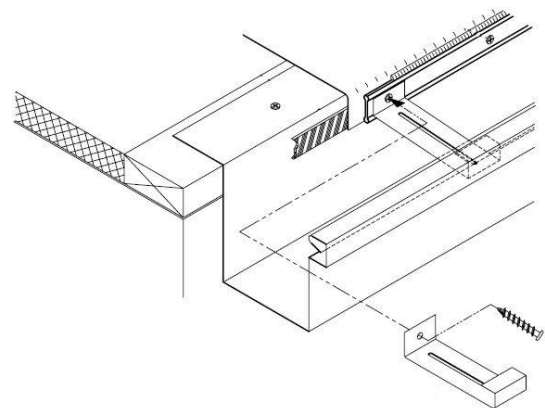
1. Install in accordance with EXCEPTIONAL® Metals Details #2091 and #3025.
2. Any deviation from the requirements set forth in detail drawings must be pre-approved, in writing, by the EXCEPTIONAL Metals Technical Department.

**Warranty:**

EXCEPTIONAL Metals offers a finish and substrate warranty. Contact the membrane manufacturer for any additional warranty that may be offered.

**Technical Services:**

Product samples, detail sheets, color chips, and color chart are available for your submittal package. For assistance with questions or submittals, contact your local representative or call EXCEPTIONAL Metals.



Material	Gauge	Finish
Aluminum	.040 / .050	Mill or Kynar®
Stainless Steel	24-gauge	N/A
Bonderized Steel	24-gauge	N/A
Galvalume®	24-gauge	Mill or Kynar®
Copper	16 oz.	Mill

*Note: The quantity and size of gutters are the responsibility of the contractor or design professional.*