

Description:

The T-Edge Plus is designed with a double-folded drip edge neatly concealing the vinyl-coated hook strip so it is not visible from ground level. The system consists of three separate components: a drip edge base, hook strip, and splice plate that are hooked together to form an aesthetically-pleasing edge.

- Fabricated in 10' lengths; 2" – 8" widths.
- Top piece consists of a vinyl-coated hook strip with a 6" attached PVC membrane skirt. Bottom drip edge piece available in any metal finish.
- Does not require an overlapping allowance.
- Ready to assemble inside and outside corners are available.

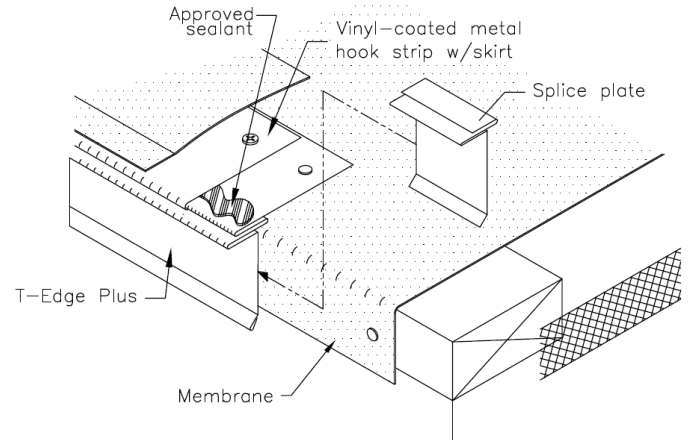


Energy Efficiency:

LEED® and ENERGY STAR® compliant; Recyclable.

Installation:

1. Attach to a wood nailer.
2. This nailer should be attached to the wall in accordance with ANSI/SPRI ES-1 3.9.
3. Install in accordance with EXCEPTIONAL® Metals Detail #3555.
4. Any deviation from the requirements set forth in detail drawings must be pre-approved, in writing, by the EXCEPTIONAL Metals Technical Department.



Codes and Standards:

- ANSI/SPRI ES-1 Compliant for 3" – 8" in 24-gauge galvanized and .040 aluminum.

Warranty:

EXCEPTIONAL Metals offers a finish and substrate warranty. Contact the membrane manufacturer for any additional warranty that may be offered.

Technical Services:

Product samples, detail sheets, color chips, and color chart are available for your submittal package. For assistance with questions or submittals, contact your local representative or call EXCEPTIONAL Metals.

Material	Gauge	Finish
Aluminum	.040	Mill or Kynar®
Stainless Steel	24-gauge	N/A
Bonderized Steel	24-gauge	N/A
Galvalume®	24-gauge	Mill or Kynar®